

MC55 IO-Link + Acoustic



Part No.:	240.510.01
Series:	MC55

**MECHANICAL DATA**

Height	71 mm
Diameter	55 mm
Materials	PC
Dome colour	Tranlucent
Housing colour	Black
Protection category	IP65 IP69K
Connection	M12 socket 4-pole
Type of fixing	Built-in mounting
Working temperature minimum	-20°C
Working temperature maximum	+50°C
Weight with packaging	92 g
Product weight	66 g
IK-Code (IEC 62262)	IK06

ELECTRICAL DATA

Operating voltage	18-30V
Operating voltage type	DC
Operating voltage tolerance	+/- 0%
Rated operational voltage	24 VDC
Rated operational current	55 mA
Rated inrush current	350 mA
Protection class	Protection class 3
Pollution degree	3 In the connection area: 2
Overtoltage category	I
insulation voltage	Ui = 50V / Uimp = 330V
connectivity	IO-Link

OPTICAL DATA

Light source	LED
Light colour	MC >1.000.000 colours
Optical signal image	multi function
Flash frequency	Configurable
Service life optical	50,000 h minimum

ACOUSTIC DATA

Volume (max) at 1m distance	85 dB
Acoustic signal image	Multi-tone
Number of tones	10 tone



For additional installation and mounting information, refer to the appropriate user guide at www.werma.com. This printed copy is for information only and is subject to alteration.

MC55 IO-Link + Acoustic

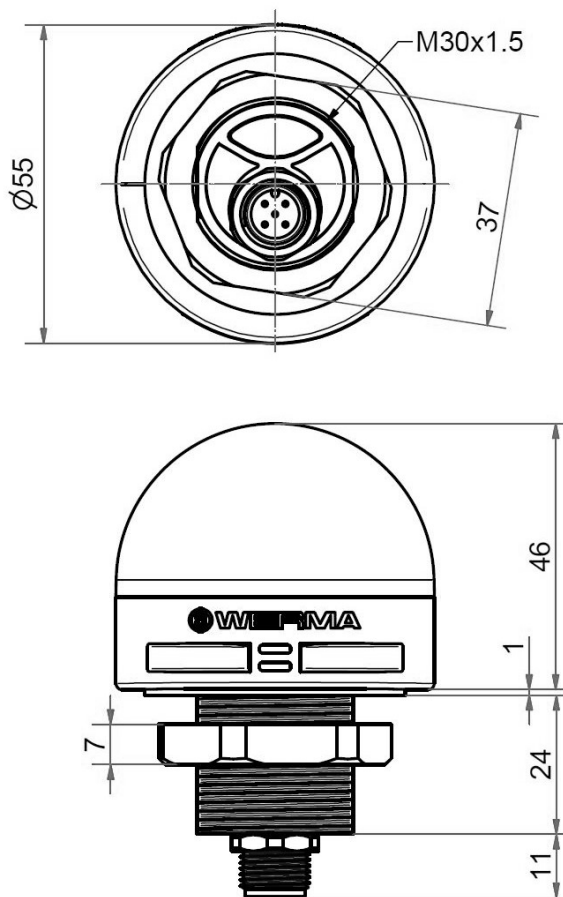
Volume adjustable	Software controlled
Acoustic service life	5,000 h minimum

APPROVAL DATA	
Conforms with CE	Yes
Conforms with RoHS directive	Yes
WEEE	Yes
Conforms with RED directive	No
Conforms with ATEX-directive	No
Conforms with CCC-Ex	No
Conforms with CCC	No
Conforms with UL	cULus
UL Type Rating	Type 4X
Conforms with FCC	No
Conforms with ISED	No
EAC certificate available	No
Conforms with UKCA (Importer)	Yes (WERMA (UK) Ltd.)
Conforms with CMIM	No
Conforms with AS-I	No
ICAO Certification	No
Conforms with DNV	No
Conforms with RoHS CN	10 years
Conforms with VdS	No
MTTFd-value [years]	514

! For additional installation and mounting information, refer to the appropriate user guide at www.werma.com. This printed copy is for information only and is subject to alteration.

MC55 IO-Link + Acoustic

DRAWING



! For additional installation and mounting information, refer to the appropriate user guide at www.werma.com. This printed copy is for information only and is subject to alteration.